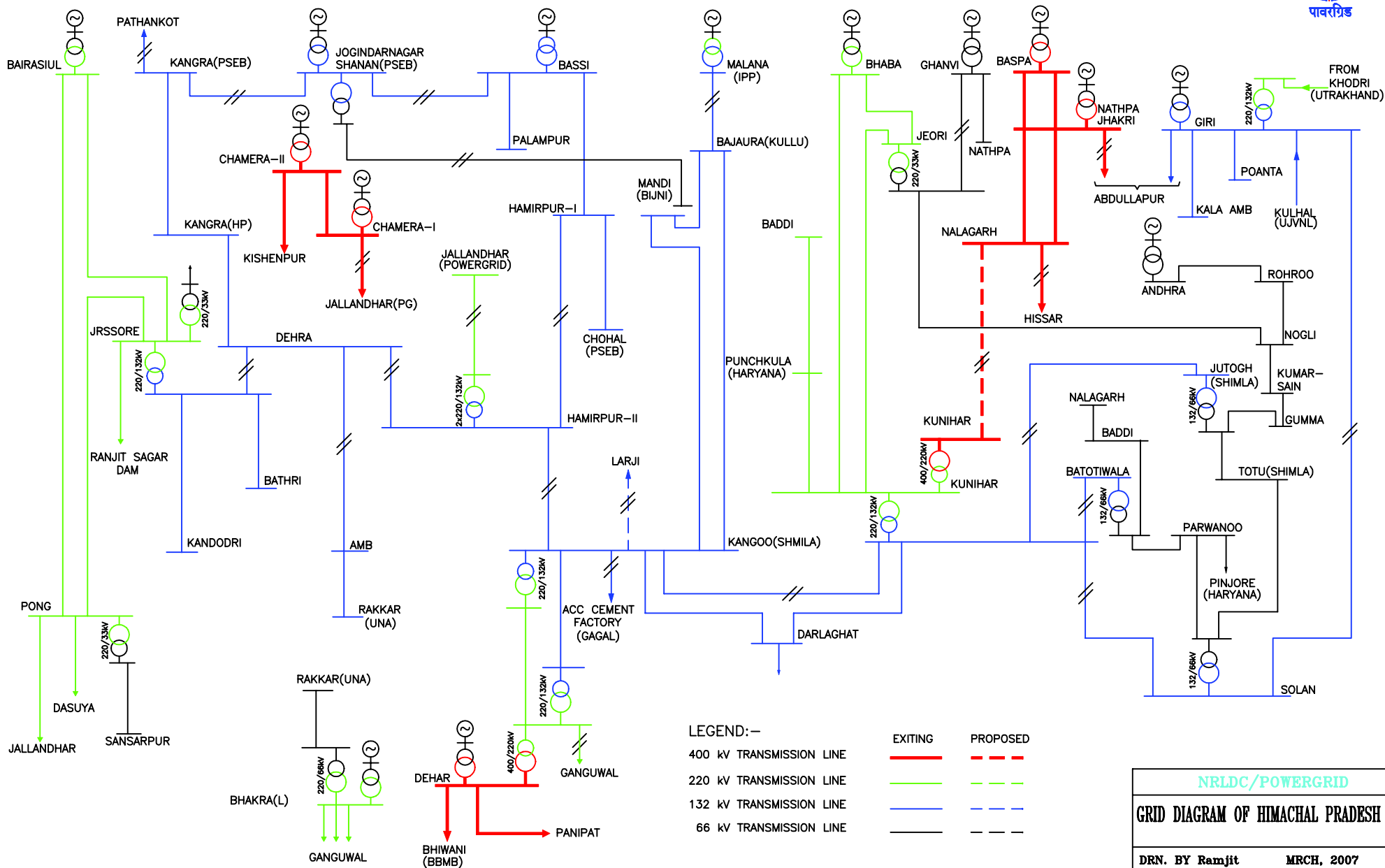
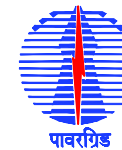


GRID DIAGRAM OF HIMACHAL PRADESH



LEGEND: -

	EXISTING	PROPOSED
400 kV TRANSMISSION LINE		
220 kV TRANSMISSION LINE		
132 kV TRANSMISSION LINE		
66 kV TRANSMISSION LINE		

NRLDC/POWERGRID

GRID DIAGRAM OF HIMACHAL PRADESH

DRN. BY Ramjit MRCH, 2007